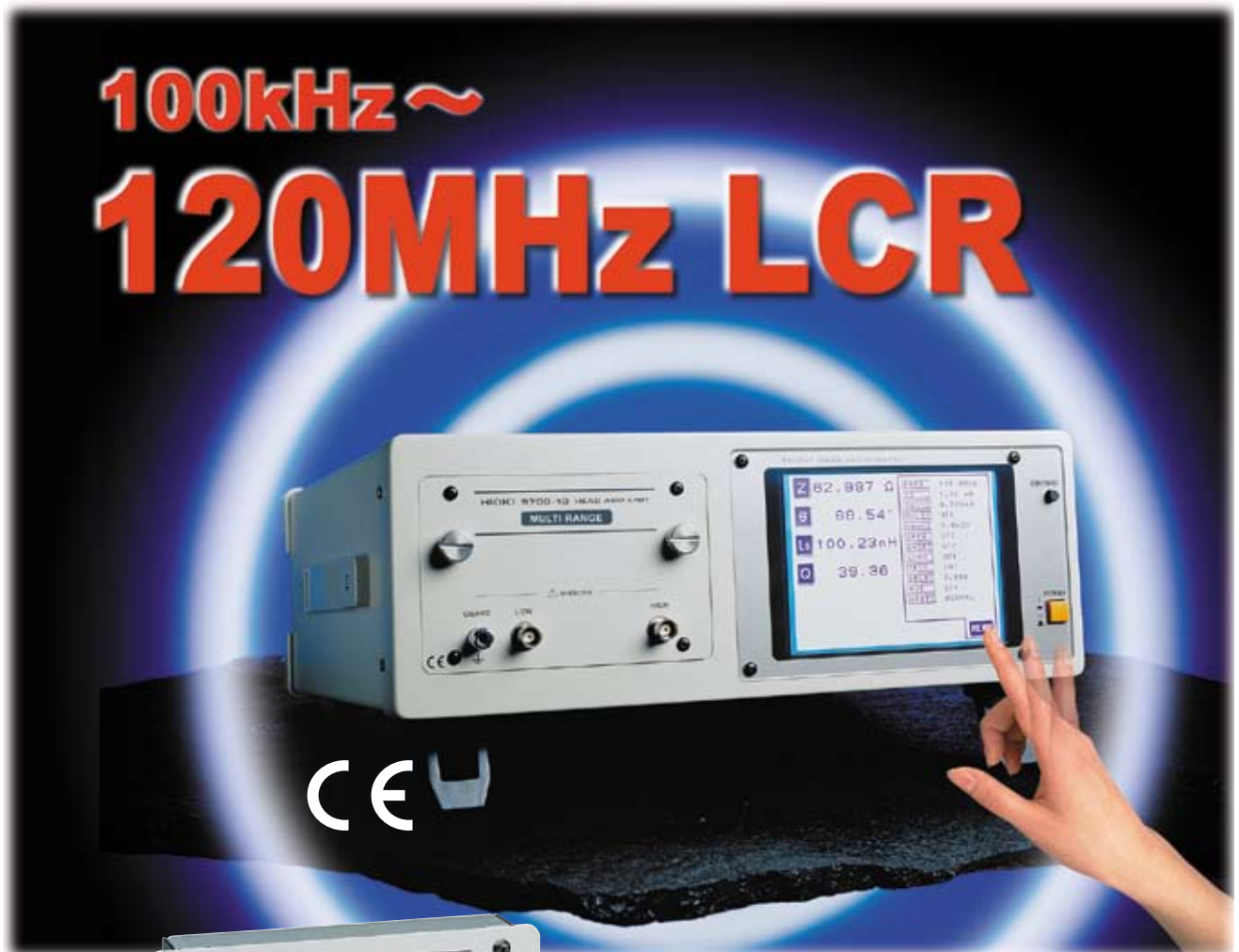


3535 LCR HiTESTER

Component measuring instruments



HEAD AMP UNIT

Measure across the broad frequency range of 100kHz to 120MHz with the new Model **3535 LCR HiTESTER**. The 6ms high-speed measurement capability is particularly useful with the built-in comparator and load functions, and for BIN (classification) measurements, to suit a wide range of applications such as chip inductor and high speed magnetic head testing, as well as other related research needs. Achieve ultimate measurement flexibility by detaching the head amp unit from the main unit and placing it in proximity to the test object so as to minimize the effect of test leads on measurements. The 3535's low price, ideal size and light weight are all achieved by incorporating an automatically balanced bridge circuit with digital control. Never before has such an advanced precision instrument coupled with economical features been placed on the test and measurement market.



ISO 9001
JMI-0216



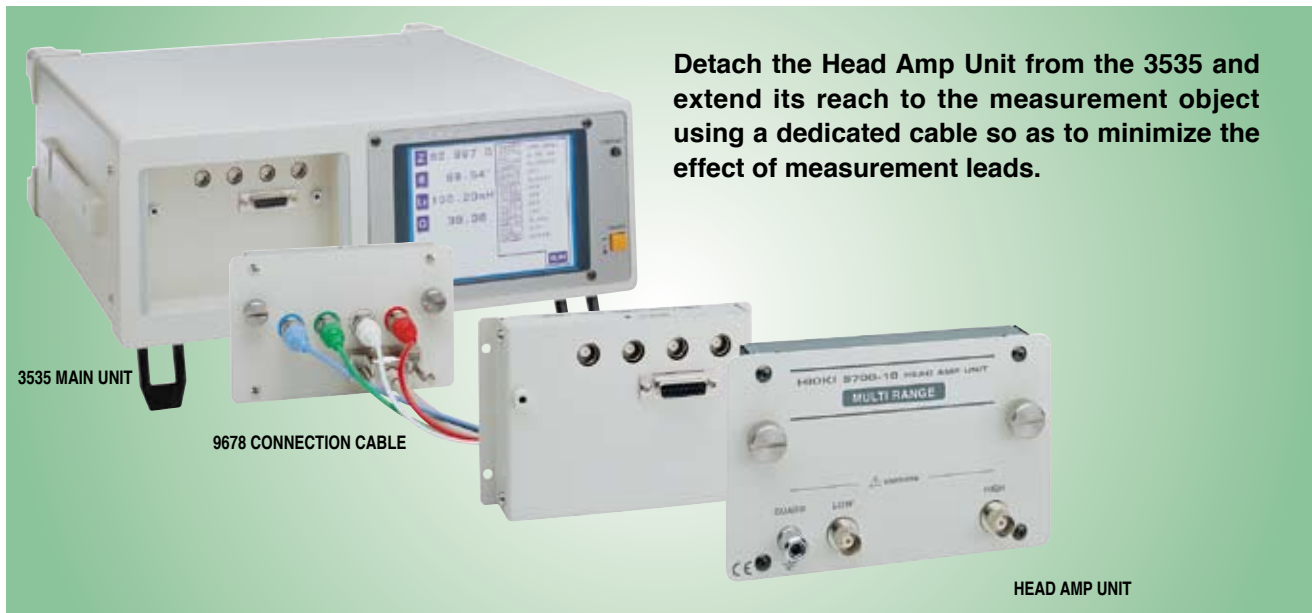
ISO14001
JQA-E-90091



<http://www.hioki.co.jp/>

HIOKI company overview, new products, environmental considerations and other information are available on our website.

Detachable Head Amp



Detach the Head Amp Unit from the 3535 and extend its reach to the measurement object using a dedicated cable so as to minimize the effect of measurement leads.

Broad Frequency Measurement Range

The measurement frequency is set with four-digit resolution from 100 kHz to 120 MHz.

6-millisecond Minimum Measurement Time

Four sampling rates can be selected: FAST, NORMAL, SLOW and SLOW2. The minimum measurement time of about 6 ms (displaying |Z|) provides rapid sampling for optimum production line efficiency.

(The measurement frequency range depends on the measured parameter type).

14 Parameter Types

The following parameters can be measured, and selected parameters can be captured using a PC. |Z|, |Y|, θ , Rp, Rs (ESR), G, X, B, Lp, Ls, Cp, Cs, D (tan δ) and Q.

Adjust for Conditions While Measuring

Measurement frequency, signal level and other conditions can be changed while monitoring measurement values, showing the effects of trial measurements and test condition settings.

Store Measurement Data

Up to 200 measurement values can be stored in the main unit. Saved values can be transferred to a computer or printed all at once.

Zoom Display

Up to four parameters can be displayed enlarged, for easy observation of the measurement values on production lines and in other situations where the display has to be monitored from a distance.

Printer Output

With the optional 9442 PRINTER, measurement values, comparator results and screen data can be printed.

BIN (Classification) Measurement

Using up to ten classifications of two measurements, measurement values can be easily classified by rank.

Continuous Measurements

Store up to 30 sets of measurement conditions. Of multiple conditions stored in memory, up to five measurements can be made sequentially per condition saved on the screen. With the comparator function, the results of a sequence of measurements can be logically ANDed and output from a single instrument.

Load Compensation Function

A standard component can be measured to obtain a compensation amount to be applied to subsequent measurement values. This function is useful for matching measurement values between different instruments.

For Changing Production Lines

Utilize the ability to store up to 30 sets of measurement conditions, including comparator values, to provide rapid response to frequent component changes on flexible production lines.

Simultaneously Measure up to 4 Parameters

Any four of fourteen parameter types can be selected for simultaneous measurement and display.

Correlation Compensation Function

The constants a and b can be set in the following compensation function expression:

Compensation value = a × measurement value + b

Automatically Balanced Bridge Circuit with Digital Control

EXT I/O

Externally control triggering and loading of measurement conditions, and for automated lines, configure output signals including comparator results and end-of-measurement signals at the touch of a button.

EXT I/O Signals	
● Outputs	<ul style="list-style-type: none"> Internal DC Power (+5 V output) Comparator Results BIN (Classification) Measurement Results End-of-Measurement Signal
● Inputs	<ul style="list-style-type: none"> External DC Power Supply (+5 to 24 V can be provided by an external source) External Trigger Signal Selection of Panels for Loading

External Control using a PC

Both RS-232C and GP-IB interfaces are included for external control of all functions (except Power ON/OFF of the 3535 main unit) from a computer.

RS-232C Interface

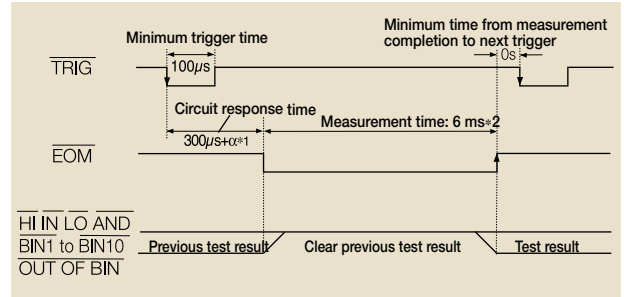
Transfer Method: Communications Method: Full Duplex, Synchronization Method: Start-Stop Asynchronous
Transfer Speed: 9,600 or 19,200 bps
Data Length: 8 bits
Parity: none
Stop Bit: 1 bit
Delimiter: CR+LF or CR
Flow Control: none
Connector: 9-pin D-sub male, reverse wired

GP-IB Interface

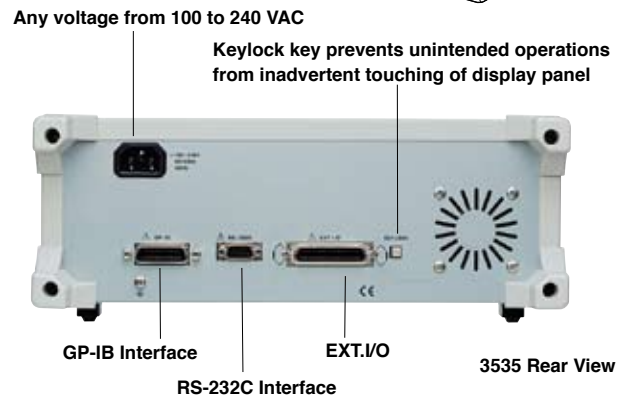
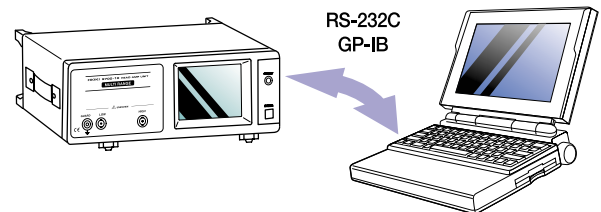
Supported Standard: IEEE-488.1 1987
 IEEE-488.2 1987 common (required) commands can be used.

Timing Chart for EXT I/O Sequencing

The following chart shows the timing sequence of the trigger (TRIG), end-of-measurement (EOM) signals and comparator result signals from the EXT I/O connector.

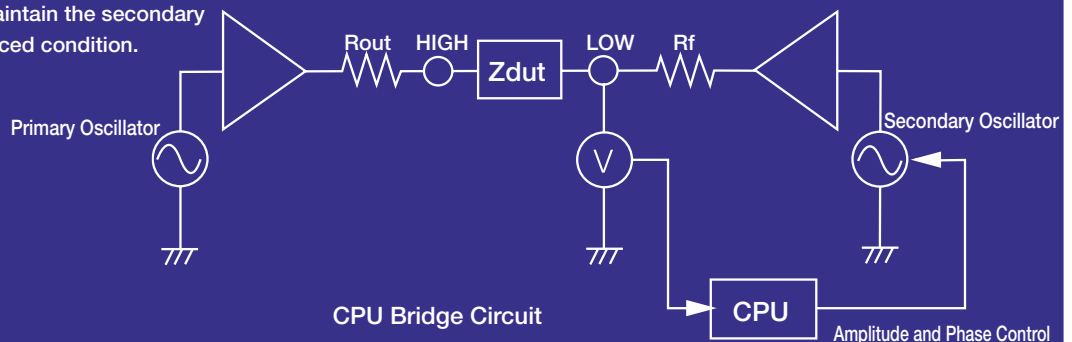


* 1. α depends on the component and trigger delay.
 * 2. Reference value with FAST measurement speed, Averaging OFF and Z measurement selected.



Measurement Principle Automatically Balanced Bridge Circuit with Digital Control

The measurement signal is generated by a primary oscillator and applied to the component (DUT). The LOW terminal voltage is measured and used to control the phase and amplitude of a secondary oscillator so as to maintain a balanced condition (LOW terminal voltage being zero). The impedance Z and phase angle θ of the DUT are determined according to the amplitude and phase required to maintain the secondary oscillator in its balanced condition.



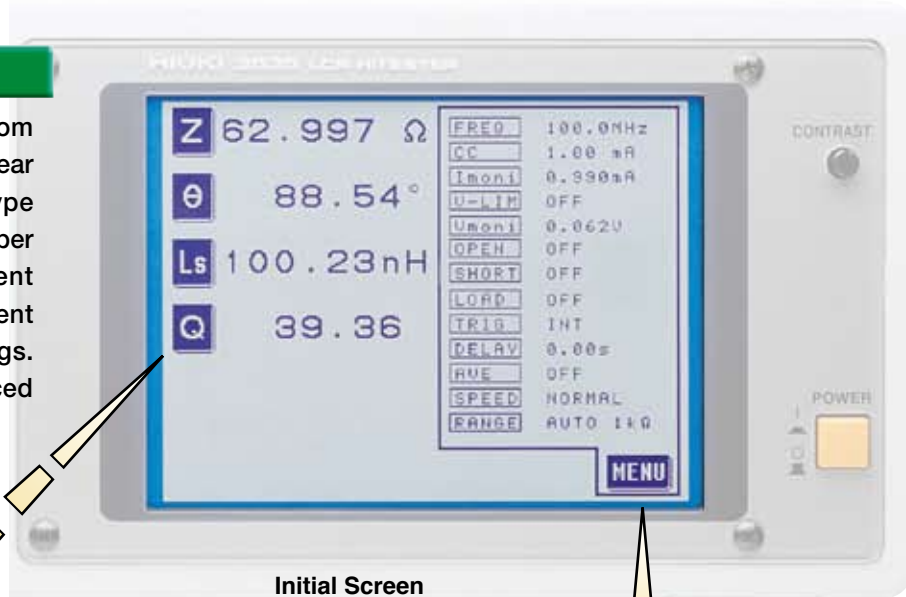


Changing Settings While Measuring

Simple Touch Panel Operation

Make all measurement condition settings from the easy-to-use touch panel. Active keys appear in reverse video, providing simple, dialog-type operation by lightly touching the item or number to be set. Real-time display of measurement data on the settings screen provide convenient monitoring while changing test signal settings. Zoom display up to 4 parameters for enhanced visibility at a distance on production lines.

Note: The screens show typical examples on the 3535.

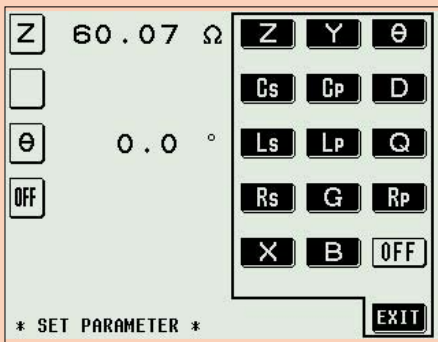


Initial Screen

Shows measurement values for any four selected parameters, and the current setting conditions.

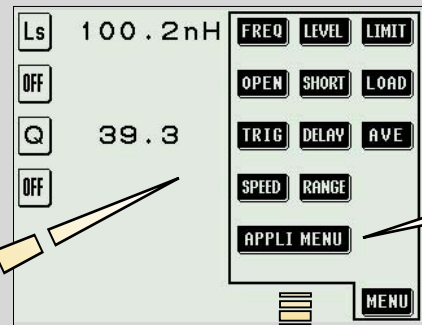
Parameter Setting Screen

Select any four of the fourteen parameter types for display.



Menu Screen

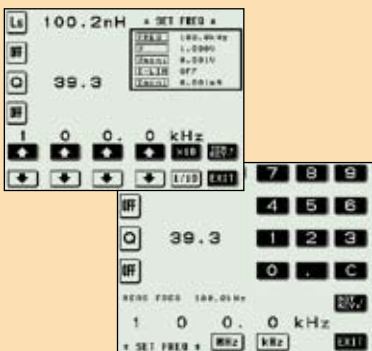
Select an item to display the corresponding setting screen.



FREQ

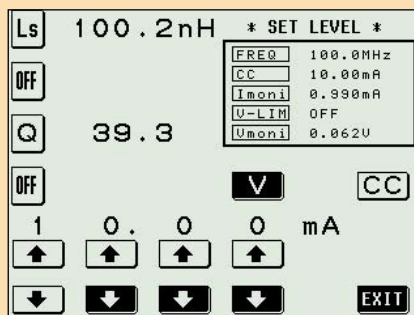
Measurement Frequency Setting Screen

Use the numeric keypad or digit keys to enter values for changing the test frequency or level while monitoring the measurement. Choose from open-circuit voltage or constant current mode for the level setting.



LEVEL

Measurement Level Setting Screen



LOAD

Load Compensation Setting Screen

Set up five compensation constants for the function to correct measurement values.



Multiple Functions for a Broad Range of Applications

COMP ON

Comparator

Compare two measurement items using the Comparator function. Input can be either the absolute value, percentage of standard value or its deviation percentage ($\Delta\%$).

BIN ON

BIN (Classification) Measurement

Classify 2 measurement items in up to 10 categories.

Application Setting Screen

CONT MEAS

Continuous Measurements

Measurement conditions saved by the Panel Save function can be used to continuously measure up to five conditions per page.

SCALE ON

Scaling

Set constants a and b to apply compensation to measurement values.

DIGIT

Numeric Digit Display

The number of significant digits of measured values of each parameter can be set to three, four or five digits.

Zoom

Zoom Display

Enlarge the display of measurement data and comparator results.

High Speed Testing of Chip Inductors and Magnetic Heads in Research and Development

3535 Specifications

Measurement Items	: Z (impedance), Y (admittance), Rs (series-equivalent resistance, ESR), Rp (parallel-equivalent resistance), G (conductivity), X (reactance), B (susceptance), θ (phase angle), Ls (series-equivalent inductance), Lp (parallel-equivalent inductance), Cs (series-equivalent capacitance), Cp (parallel-equivalent capacitance), Q (Q factor), D (loss constant $\tan\delta$)	Classification (BIN) Measurement	: Ranks two measurement items into ten classifications.
Measurement Frequency	: Frequency Range: 100 kHz to 120 MHz Setting Resolution: Four digits (by front panel setting)* 100.0 kHz to 1.000 MHz: 100-Hz steps 1.000 MHz to 10.00 MHz: 1-kHz steps 10.00 MHz to 100.0 MHz: 10-kHz steps 100.0 MHz to 120.0 MHz: 100-kHz steps *1-Hz resolution with GP-IB or RS-232C interface Frequency Accuracy: less than $\pm 0.005\%$ of setting value	Correlation Compensation Function	: Constants a and b are entered to compensate displayed values. [Compensated value] = a \times [measurement value] + b
Output Impedance	: 50 \pm 10 Ω (at 100 kHz)	Panel Save and Load	: Memory Capacity: 30 Sets Load Method: Front panel key operation, External I/O connector, GP-IB, RS-232C
Measurement Signal Level	: Open-terminal voltage (V) mode Level Range: 5 mV to 1 V, 20 mA max. (up to 10.00 MHz) 5 mV to 500 mV, 10 mA max. (above 10.01 MHz) Setting Resolution: 1mV steps Setting Accuracy: $\pm(5\% + 5 \text{ mV}) \times (2 + \log f)$ where f is in MHz Constant Current (CC) mode Level Range: 200 μ A to 20 mA: 1 V max. (up to 10.00 MHz) 200 μ A to 10 mA: 0.5 V max. (above 10.01 MHz) Setting Resolution: 10 μ A steps Setting Accuracy: $\pm(10\% + 50 \mu\text{A}) \times (2 + \log f)$ where f is in MHz	Measurement Value Storage	: Memory Capacity: Up to 200 values Measurement values are stored in the main unit and transferred as a batch.
Monitor Function	: Monitor Voltage: 0.000 to 1.000 V Monitor Current: 0.000 to 20.00 mA	Zoom Display Function	: Enlarge the display of measurement data and comparator results.
Limit Function	: Current Limit (during V setting): 0.20 to 20.00 mA Voltage Limit (during CC setting): 0.005 to 1.000 V	Continuous Measurements	: Measurements are made continuously per conditions saved on the screen.
Measurement Time	: 6 \pm 1 ms (nominal) Actual time depends on measurement conditions, such as measurement speed and averaging.	Audible Beeper	: Beeping can be set ON/OFF for key entry and comparator results (IN or NG).
Measurement Speed	: FAST, NORMAL, SLOW and SLOW2	Numerical Display Digit Setting Function	: Measurement values can be set to display as 3, 4 or 5 digits. Available settings depend on the parameter.
Average	: OFF, 2, 4, 8, 16, 32 and 64	Display Setting Functions	: Backlight and voltage/current monitor display can be set ON/OFF. Note: when the backlight is off, display refresh is disabled (during high-speed measurement).
Trigger Function	: Internal and external trigger sources can be selected. Trigger Delay function: 0.01 to 9.99 s with 0.01 s resolution	Printer Functions	: Hard copy printout of measurement values and screens. Note: requires 9442 and 9444
Load Compensation Function	: Measure a standard component to establish a compensation value for subsequent measurements.	Interfaces	: GP-IB, RS-232C and EXT I/O (standard)
Key Lock Function	: Temporarily disable touch panel operation using rear panel switch.	Operating Temperature and Humidity	: 10 to 40°C, 80% rh or less, no condensation
Comparator	: Compares two measurement items. Input either the absolute value, percentage of standard value or its deviation percentage ($\Delta\%$). Note: for $\Delta\%$, the measurement value is displayed as the percentage of deviation from the standard value.	Storage Temperature and Humidity	: -10 to 55°C, 80% rh or less, no condensation
		Operating Environment	: Indoors, up to 2000 m ASL
		Power	: 100 to 240 VAC, 50/60 Hz
		Maximum Rated Power	: 50 VA
		Dimensions and Mass	: Approx. 360W \times 130H \times 360D mm, 8.3 kg
		Conforming Standards	: EMC: EN61326:1997+A1:1998+A2:2001 EN61000-3-2:2000 EN61000-3-3:1995+A1:2001 Safety: EN61010-1:2001 Pollution Degree 2

Measurement Accuracy and Range

Accuracy is calculated using Z and θ , and other parameters are calculated from these.

Z Accuracy: calculated from the following formula

$$\text{Accuracy [\%]} = \text{basic accuracy} \times \text{frequency constant} \times \text{level constant} \times \text{measurement speed} \\ \times \text{constant} \times \text{cable length constant} \times \text{temperature constant}$$

θ Accuracy: calculated from the following formula

$$\text{Accuracy [degrees]} = \text{Z accuracy} \times 0.6$$

Basic Accuracy

Measurement Range	9700-10 HEAD AMP UNIT			Upper end of range Basic accuracy = $A + B \times \left(\frac{Z_m \times 10^{-1}}{\text{range}}\right)$
	1 k Ω range	10 k Ω range	100 k Ω range	
10 k Ω to 300 k Ω	/	/	A=2.00 B=0.20	Lower end of range Basic accuracy = $A + B \times \left(\frac{\text{range}}{Z_m \times 10^{-1}}\right)$ Z _m = measurement value
1 k Ω to 20 k Ω	/	A=1.00 B=0.10	/	
100 Ω to 2 k Ω	A=0.50 B=0.10	/	/	
100 m Ω to 100 Ω	A=0.50 B=0.10	/	/	

Frequency Constant

$\log f + 2$ ($f \leq 10$ MHz), where f is in MHz
 $10 \times \log f - 7$ ($f > 10$ MHz), where f is in MHz

Cable Length Constant

1 (0m)
 2 (2m, 9678)

Measurement Speed Constant

5 + 150/V (FAST), where V is in mV
 3 + 100/V (NORMAL), where V is in mV
 1.5 + 30/V (SLOW), where V is in mV
 1 (SLOW2)

Level Constant

10 - 3 \times log V, where V is in mV

Temperature Constant

$1 + 0.1 |T [^\circ\text{C}] - 23 [^\circ\text{C}]|$

[Measurement Range: Reference Value]

	1 k Ω range	10 k Ω range	100 k Ω range
Z · R*	100 Ω to 2 k Ω	1k Ω to 20 k Ω	10 k Ω to 300 k Ω
C*	0.66 pF to 15.9 μ F	0.066 pF to 1.59 nF	4.4 fF to 159 pF
L*	0.133 nH to 3.18 mH	1.33 μ H to 31.8 mH	13.3 μ H to 477mH
θ	-180.00° to 180.00°		

*Ranges for R, C, and L measurement are based on the data calculated from the Z measurement range, and do not represent the guaranteed measurement ranges.

Method of Acquiring Measurement Accuracy

Obtaining the basic accuracy of a capacitor. (Cs=100pF)

Measurement value: Z = 159.33,
 $\theta = -87.33^\circ$ when measuring with the following conditions using 1 k Ω range.

- Measurement Frequency: 10 MHz
- Measurement Speed: SLOW2
- Measurement Signal Level: 500 mV
- Cable Length: 0 m
- Temperature: 24°C

- Acquire Z constants A and B from the basic accuracy table, and calculate the basic accuracy of Z.
- Acquire the other constants from the measurement conditions.
- Acquire the accuracy of Z.
- Calculate the basic accuracy of θ from the basic accuracy of Z.
- The range of possible values for Z and θ is acquired from the basic accuracy. The absolute value of θ is used.
- The range of possible values for Cs is acquired from the range of Z and θ .
 $X = Z \sin \theta$, $C_s = 1 / \omega X$

From the basic accuracy table, the constants A and B are A = 0.50 and B = 0.10

$$Z \text{ basic accuracy} = 0.50 + 0.10 \times \left(\frac{159.33 \times 10}{1000} - 1\right) = \pm 0.559\%$$

Frequency constant = $\log(10) + 2 = 3$
 Level constant = $10 - 3 \times \log(500) = 1.903$
 Measurement Speed constant = 1
 Cable Length constant = 1
 Temperature constant = $1 + 0.1 \times |24 - 23| = 1.1$

Z accuracy = $0.559 \times 3 \times 1.903 \times 1 \times 1 \times 1.1 = \pm 3.510\%$

θ accuracy = $3.510 \times 0.6 = \pm 2.106^\circ$

Zmin = $159.33 \times (1 - 3.510 / 100) = 153.74 \Omega$
 Zmax = $159.33 \times (1 + 3.510 / 100) = 164.92 \Omega$
 $\theta_{\min} = 87.33 - 2.106 \approx 85.224^\circ$
 $\theta_{\max} = 87.33 + 2.106 \approx 89.436^\circ$

Csmin = $1 \div (\omega \times Z_{\max} \times \sin \theta_{\max}) = 96.509 \text{ pF} \dots 3.491\%$
 Csmax = $1 \div (\omega \times Z_{\min} \times \sin \theta_{\min}) = 103.883 \text{ pF} \dots 3.883\%$
 $\omega = 2 \times \pi \times f$, where f is the measurement frequency in Hz
 Therefore, the basic accuracy of Cs is -3.491 to 3.883%.

Options

Head Amp Unit must be factory adjusted for dedicated use with the 3535 before delivery.

9700-10 HEAD AMP UNIT
Measurement Range: 100 mΩ to 300 kΩ(3 ranges)

9678 CONNECTION CABLE
Cable Length: 2m

9677 SMD TEST FIXTURE
Operating Frequency : DC to 120 MHz
Measurable Object Size : 3.5 ±0.5 mm
Dimensions : Approx. 103W × 37.1H × 47.6D mm
Mass : Approx. 135 g
**Please note that use of the 9677 with Model 3535 will NOT comply with CE mark requirements.*

9699 SMD TEST FIXTURE
Operating Frequency : DC to 120 MHz
Measurable Object Size :
Width: 1.0 to 4.0mm; Height: less than 1.5mm
Dimensions : Approx. 100.5W×28.6H×40.0Dmm
Mass : Approx. 125 g
For testing components with electrodes on the bottom

SMD TEST FIXTURE (direct contact type)

9442 PRINTER
Printing Method : Thermal serial dot printer
Paper Width / Print Speed : 112 mm / 52.5 cps
Power Supply : 9443 AC Adapter or supplied NiMH battery (prints 3000 lines after full charge by 9443)
Dimensions : Approx. 160W × 66.5H × 170D mm
Mass : Approx. 580 g

Note: the 9444 Connection Cable and AC Adapter are required to connect the 9442 Printer.

3535 LCR HiTESTER

The Head Amp and Test Fixtures are not supplied with the unit.
Please order the appropriate options for your application.

● Options

9700-10 HEAD AMP UNIT

9677 SMD TEST FIXTURE

9699 SMD TEST FIXTURE

9678 CONNECTION CABLE

9637 RS-232C CABLE (9pin-9pin/cross/1.8m)

9638 RS-232C CABLE (9pin-25pin/cross/1.8m)

9151-02 GP-IB CONNECTION CABLE (2 m)

9151-04 GP-IB CONNECTION CABLE (4 m)

9442 PRINTER

9443-02 AC ADAPTER (for 9442, EU)

9443-03 AC ADAPTER (for 9442, USA)

9444 CONNECTION CABLE (for 9442)

1196 RECORDING PAPER (for 9442 / 25 m, 10 rolls)

Head Amp Unit must be factory adjusted for dedicated use with the 3535 before delivery.

HIOKI

HIOKI E. E. CORPORATION

HEAD OFFICE :

81 Koizumi, Ueda, Nagano, 386-1192, Japan
TEL +81-268-28-0562 / FAX +81-268-28-0568
E-mail: os-com@hioki.co.jp

HIOKI USA CORPORATION :

6 Corporate Drive, Cranbury, NJ 08512 USA
TEL +1-609-409-9109 / FAX +1-609-409-9108
E-mail: hioki@hiokiusa.com

Shanghai Representative Office :

1310 Shanghai Times Square Office
93 Huaihai Zhong Road
Shanghai, 200021, P.R.China
TEL +86-21-6391-0090, 0092
FAX +86-21-6391-0360
E-mail: info@hioki.cn

DISTRIBUTED BY